

Orchestrating a brighter world

NEC

UNIVERGE SV9100 Healthcare



The Smart Enterprise

Contents

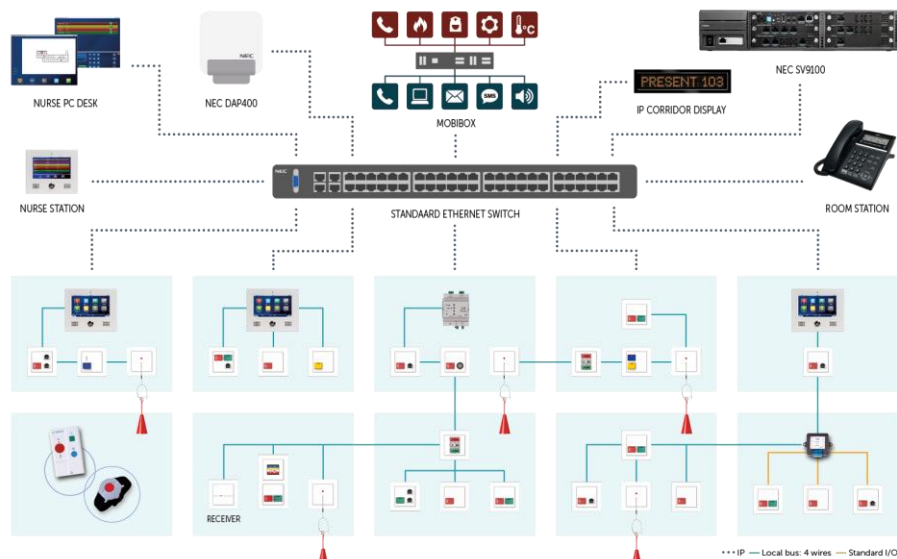
iCall Overview



NEC's iCall

NEC's iCall provides a complete healthcare communication solution for the patients, residents and nurses. Integrating nurse call, nurse notification and telephony applications offers a one-stop-solution for every healthcare facility in Acute Cure and Care, Long-Term Care and Assisted Living.

iCall is the first nurse call system in the world based on the open IP-standard. The distributed architecture ensures the highest degree of flexibility without any limitation. All of the connection options that can be used for a data network can also be used for iCall: the intelligence is distributed in the IP units, at room level if desired. Furthermore, management is made easy accessible via the iMaster management tool.





\Orchestrating a brighter world

NEC brings together and integrates technology and expertise to create the ICT-enabled society of tomorrow.

We collaborate closely with partners and customers around the world, orchestrating each project to ensure all its parts are fine-tuned to local needs.

Every day, our innovative solutions for society contribute to greater safety, security, efficiency and equality, and enable people to live brighter lives.